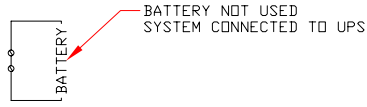
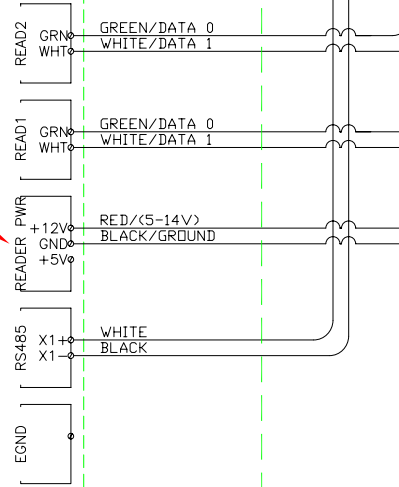


TO CONTROLLER #2 R

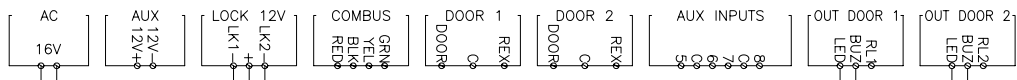
ENCLOSURE HOUSING



KANTECH KT-300
TURNSTILE CONTROLLER #1
SERIAL NO. -----



READER POWER
TO +12V OR +5V



RELAY
(SEE DWG#AVLELEC-1000)

WIRE NUT
TYP. OF 2
DPDT RELAYS
MNT IN KT300
ENCLOSURE

KANTECH TR1637WCSA
16V AC TRANSFORMER

120 VOLTS 40VA
BY ELECTRICAL CONTRACTOR

FROM CARD ACCESS C
LOCATED IN OFFICE 4
(CARD ACCESS COMPU

