

Model No.

SM805A

Sound Masking Speaker

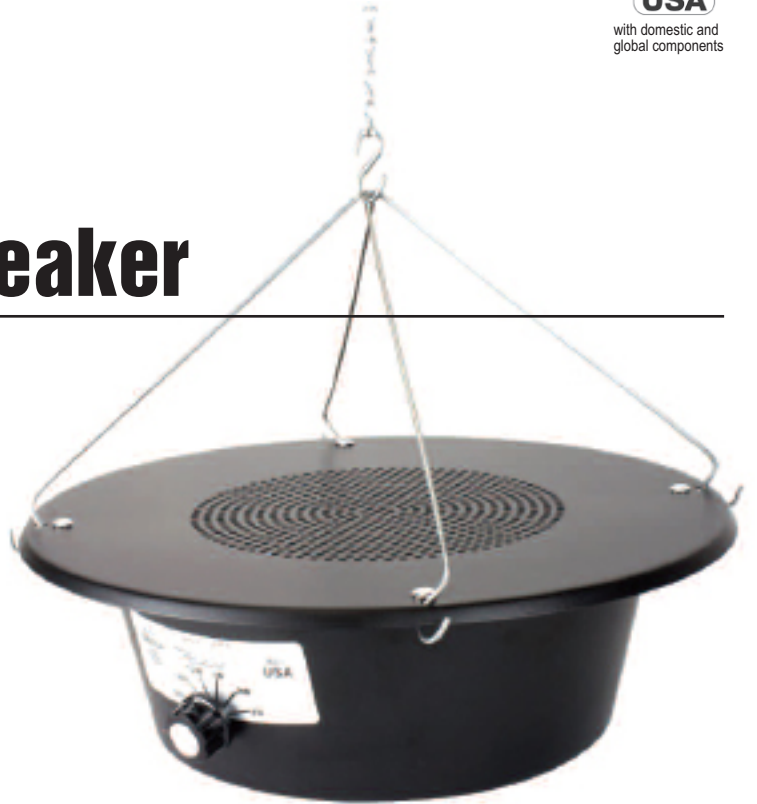
• Ready to install

The SM805A sound masking speaker ships completely assembled and ready for installation. It includes an 8" dual cone driver, wired transformer, steel enclosure and grille, and mounting hardware (wire hangers, chain, S-hooks).

In general, the purpose of a sound-masking system is to provide for greater conversational privacy and productivity in an open-office environment by adding ambient noise and shaping the signal to mask speech. The noise signal is fed from a generator with amplifier (built-in or separate) to sound-masking speakers that are positioned out of view above ceiling tiles. Order generator/amplifier separately from sound masking speakers (see Model No. Summary chart, page two).

Construction & Features

- Ships completely assembled and ready for suspended installation.
- **DRIVER / TRANSFORMER:** 8 in. 12W driver with 70V 4W factory wired transformer (primary taps at 4, 2, 1, .5, and .25 watts).
- **BACKBOX / GRILLE:** The 325 cu.in. steel backbox and grille have a black powder epoxy finish. Installer-friendly system has externally accessible speaker leads at single gang handibox cover with 1/2" Romex connector located on rear of backbox. Six-position rotary switch with externally accessible knob is factory installed to provide a convenient method of changing transformer taps. The rotary switch is particularly useful to balance the masking speaker system.
- **MOUNTING HARDWARE:**
 - **Wire hangers, S-hooks, 4 ft. chain:** Pre-mounted wire hangers allow fast installation with easy positioning of the masking speaker for upward sound dispersion. Hangers are formed of rigid, plated wire for stable kink-free suspension from the structural deck using the 4 ft. chain and S-hooks provided. *Note: Rigging hardware (to attach chain to the deck or other building structure) is to be furnished by the installer.*



Includes grille with pre-mounted wire hangers, backbox with externally accessible leads and single gang input plate, 4 ft. chain and S-hooks for fast installation.

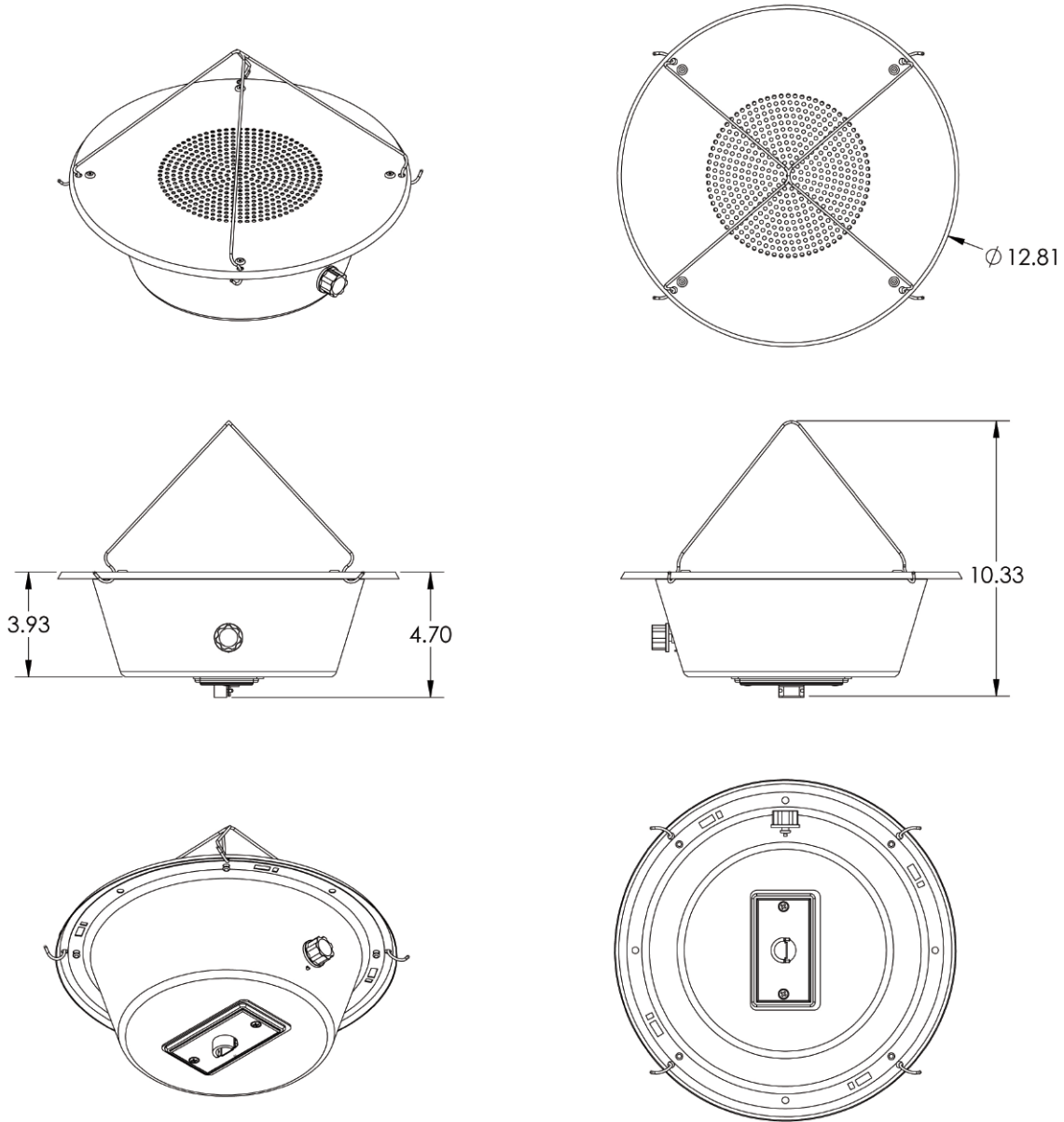
A & E Specifications

The sound masking speaker assembly for suspended ceiling installation shall be Lowell Model No. SM805A, which shall include an 8 in. 12W dual cone driver with 70V factory-wired transformer having primary taps at 4, 2, 1, .5, and .25 watts. The assembly shall be mounted in a 325 cu.in. steel backbox and grille with black finish. The unit shall include an externally accessible rotary switch to adjust tap selections. Speaker leads shall exit the backbox through a strain relief clamp on a single gang handibox cover on rear of backbox. The wire hangers shall be factory-mounted for upward sound dispersion. Suspension mounting shall be accomplished by connecting the wire hangers to S-hooks and chain (provided).



www.AVLELEC.com
www.ENTRAPASS.com
www.TURNSTILES.us
 8641 S. Warhawk Rd, Conifer, CO 80421
 303-670-1099

Technical Drawings



Model No. Summary

Model No.	Speaker (No. 805)	Transformer	Backbox	Grille	Mounting Hardware
SM805A	8 in. 12W dual cone	70V (4, 2, 1, .5, .25W taps)	325 cu.in.	black round	wire hangers/chain

OPTIONS

SMGA-5	Sound masking generator with amplifier, rackmount chassis
SMG-1R	Sound masking generator, rackmount chassis
SMG-1	Sound masking generator, compact