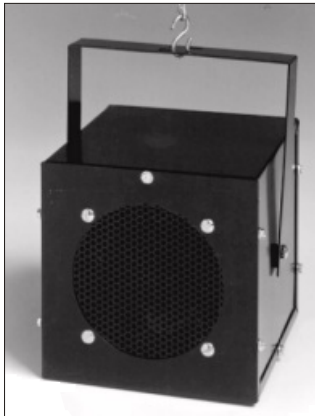


"THE MASKER"
UL LISTED, SELF-CONTAINED AUDIO MASKING SYSTEM

AVL1100
Series



AM1100
(Front View)



AM1100
(Rear View)

FEATURES

- Self-Contained System is Equipped with 4" Loudspeaker, Level Control Amplifier, Power Supply, and Digital Pink-Noise Generator
- Unique One-Point Suspension Allows 360° Positioning Capability
- External Master Panel Allows Convenient Access to Power and Level Control Functions
- Available in 117 VAC and 16 VAC Versions
- Listed Under UL Standard 1480 as a General Signaling Appliance

APPLICATIONS

Achieve Acoustical privacy in open/partitioned office areas by installing www.avlelec.com, inc.'s self-contained, audio masking system — *The Masker*. Compact assembly adds low-level sound into environment to obscure ambient noise, achieving conversational privacy in designated areas. Easy-to-install system may be used in general application to increase privacy and/or productivity in individual cubical and work areas by "blocking out" surrounding conversation. It is also used in individual office areas, common waiting areas, and professional offices where confidential conversations occur. The equalized masking sound lowers intelligibility and "masks" disruptive outside sounds.

GENERAL DESCRIPTION

The Masker AM1100 Series is an easy-to-install, high-performance masking system that includes a built-in power supply, digital pink-noise generator, 2-watt amplifier, 4" loudspeaker and selection of optional installation and performance enhancements. Compact assembly is housed within a 6" metal cube enclosure with one point suspension to allow 360° positioning in ceiling plenums.

Easy-to-operate control panel features on/off power switch, screwdriver-adjust master SPL level control, knob adjust attenuator (1-1/2 dB per step), and two screwdriver-adjust low-pass filters. For installation convenience, the sound out-put curve of *The Masker* is pre-set at the factory to meet most masking applications (see Fig. 1).

Custom curves to satisfy individual customer specifications are also available upon special request. The 117VAC versions are standard with transformer, IC electronic regulator, replaceable fuse and grounded plug or conduit connector for termination. The 16VAC version is equipped with IC electronic regulator, re-settable circuit breaker and 8" leads for connection to external power transformer. Models are finished in black epoxy and configured as listed in the chart below. Option abbreviations are as follows: (L) AC line cord with molded plug and (H) 4' suspension chain with "S" hook.

SPECIFICATIONS

MODEL	POWER REQUIREMENTS	PINK-NOISE GENERATOR	AMPLIFIER SECTION	POWER SUPPLY SECTION	LOUDSPEAKER	FREQUENCY RESPONSE	WEIGHT
AM1100-LH	117VAC, 60 Hz 7 Watts	IC Type Digital Operation	IC Type, 2 Watts Output	IC Electronic Reg., Xfmr, Replaceable Fuse	4" (102mm) 10 oz. Ceramic Magnet	200 Hz - 4 kHz	5.4 lbs (2.45)
AM1100-16V	16VAC, 60 Hz @ 350 mA			IC Electronic Reg., Circuit Breaker			

MODEL	DESCRIPTION
AM1100-LH	117 VAC Masker with line cord and 4 foot chain
AM1100-16VH	16 VAC Masker with chain

www.avlelec.com, inc.

8641 South Warhawk Road
Conifer, Colorado 80433

Phone: (303) 670 1099 ext.11 Fax: (303) 679 8949

Web: <http://www.avlelec.com>

ARCHITECTS AND ENGINEER'S SPECIFICATIONS

The self-contained audio masking system shall be avlelec.com Series AVL1100 Model _____ or approved equal. The unit shall be completely self-contained in a 6" metal cube enclosure and have one point suspension allowing for a full 360° positioning of loudspeaker system. Assemblies shall include a 4" diameter loudspeaker with 10 oz. ceramic magnet. Frequency response shall be 200-4,000 Hz. The pink-noise generator shall be an IC type with digital operation. The amplifier shall be an IC type with 2 watt output. The sound output curve shall be preset at the factory. Masking assembly shall have a power requirement of _____ (117VAC, 60 Hz or 16VAC, 60 Hz).

Models for 117VAC operation shall include transformer, IC electronic regulator, replaceable fuse and line cord for termination. The 16VAC Model shall be equipped with IC electronic regulator, re-settable circuit breaker and 8" leads for connection to external power transformer. Control panel shall consist of an on/off power switch, knob adjust attenuator (1-1/2 dB per step), screwdriver-adjust master volume control, and two screwdriver-adjust low-pass filters for sound out-put wave shaping.

Figure 1

ACOUSTICAL RESPONSE IN 1/3 OCTAVES

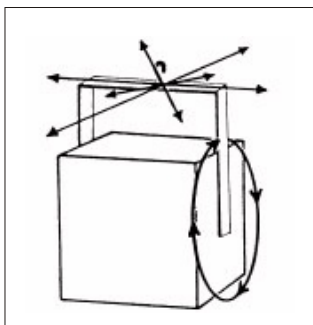
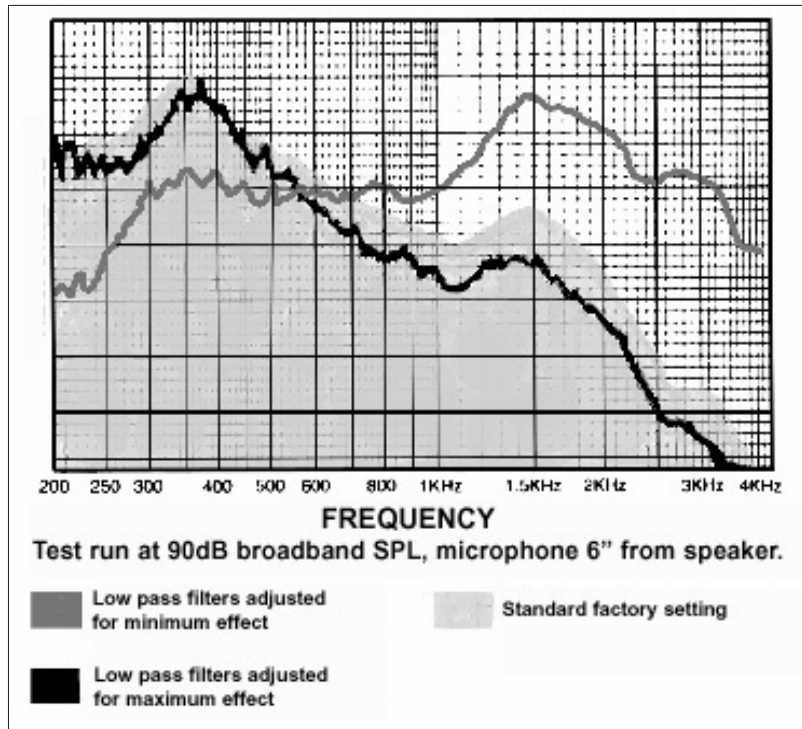


Figure 2
360° Positioning Capability

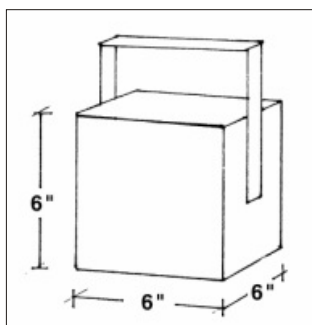


Figure 3
Compact Size Mounts Anywhere

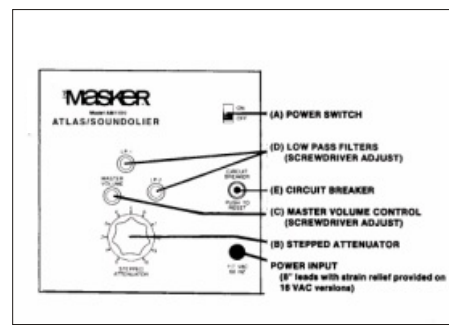


Figure 4
User-Friendly Controls

www.avlelec.com, inc.

8641 South Warhawk Road
Conifer, Colorado 80433

Phone: (303)-670-1099 ext.11 Fax: (303)-679-8949

Web: <http://www.avlelec.com>