

LWER Wall-Mount Rack, 7 RU

Description:

The economical LWER is a contemporary solution to house electronics in small system installations like schools and offices. It's ideally suited for light to medium loads where easy access to the rear is not a priority. The welded 16-gauge steel rack features vented sides and a separate wall bracket with mounting slots and knockouts. Includes one-pair of fixed position front mounting rails, which are set back approximately 0.83" [21mm]. Durable black wrinkle powder epoxy finish. Overall width is 23.06" [586mm].



Side panels vented at top and bottom.

Includes solid steel front door with keyed lock for security.

Features:

- One-pair fixed front mounting rails tapped 10-32
- Surface-mount front door is 1"D [25mm]
- Wall-mount bracket
- Side panels vented at top and bottom
- 150 lbs. [68 kg] load capacity
- Removable knockout panels include a blank project panel on top and a panel with combination knockouts on bottom — .75-.50", .50", 1.5"-1.0" [19-13mm, 13mm, 38-25mm]
- Beveled front corners
- Made in the U.S.A. with 100% certified U.S. steel



Sturdy wall-mount bracket.

Optional: (order separately)

- **Additional Mounting Rails (RRTF series):** rails can be ordered to mount in a fixed position in the rear.
- **Rail Conversion Bracket (No. RRTBF):** enables front rails (or optional rear rails) to change from fixed position to adjustable style. Includes hardware.

A&E Specifications:

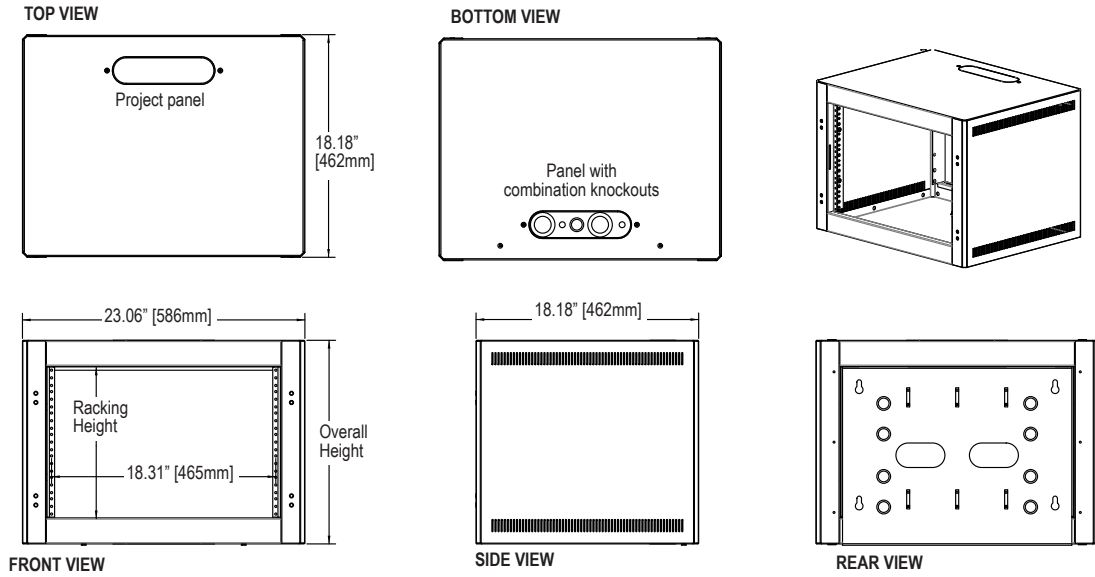
The wall-mount rack shall be Model _____, which shall measure 23.06"W x _____"H x 18.18"D [586mm x _____mm x 462mm] plus 1" [25mm] depth for solid front door. The welded assembly shall be 16-gauge certified US steel with 11-ga. fixed front mounting rails tapped 10-32. The rack shall feature side ventilation slots and a wall-mount bracket. Load capacity shall be 150 lbs.[68 kg]. Finish shall be black powder epoxy.

Model No.	Description	Racking Height	Overall Height	Overall Depth	Overall Depth w Door	Useable Depth
LWER-718	Wall rack with door	12.38 in / 314 mm / 7U	16.63 in / 422 mm	18.18 in / 462 mm	19.18 in / 487 mm	17.20 in / 437 mm
LWER-1018	Wall rack with door	17.63 in / 448 mm / 10U	21.88 in / 556 mm	18.18 in / 462 mm	19.18 in / 487 mm	17.20 in / 437 mm
RRTF-7	Additional Rack Rails (1-pr)	7U				
RRTF-10	Additional Rack Rails (1-pr)	10U				
RRTBF	Rail Conversion Bracket					

One rack unit (RU or U) = 1.75 inches or 44.45 mm. Some measurements have been rounded.

LWER Wall-Mount Rack, 7 RU

LWER-718



LWER-1018

