

8

7

6

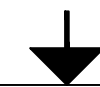
5

4

3

2

1



REVISIONS				
ZONE	REV	DESCRIPTION	DATE	APPROVED
VA	CJC	ISSUED FOR APPROVAL	2/5/2009	
VA	A	---	-----	

D

D

C

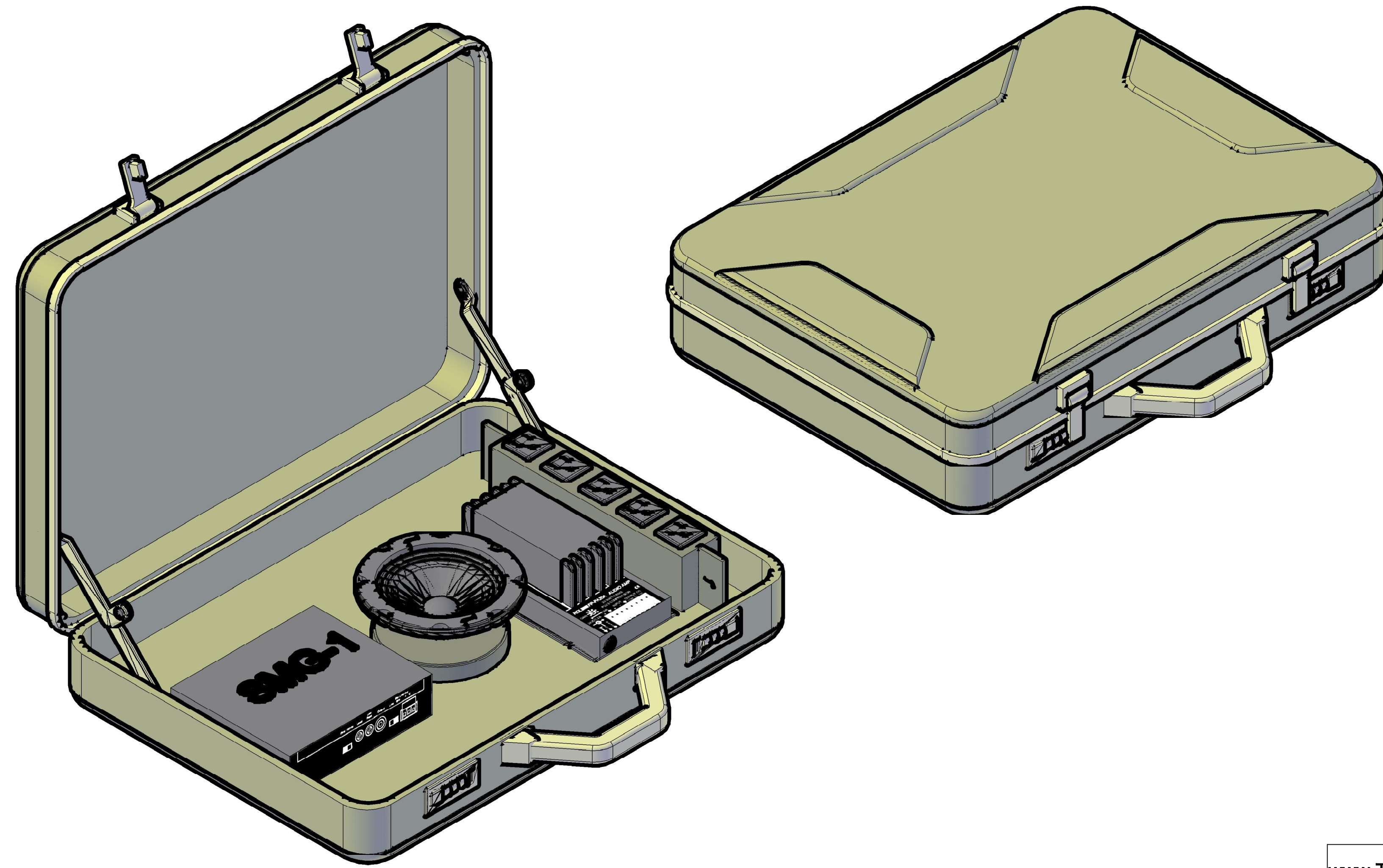
C

B

B

A

A



www.TURNSTILES.us		PORTABLE SOUND MASKING	
8641 South Warhawk Rd. Conifer, Colorado 80433 Patrick McAllister Tel: 303-670-1099		SOUND MASKING GENERATOR, AMPLIFIER & SPK BRIEFCASE	
SIZE D	DRAWING NO. SM_BRIEFCASE	REV A	
SCALE NONE	SHEET		1 OF 2

8

7

6

5

4

3

2

1

